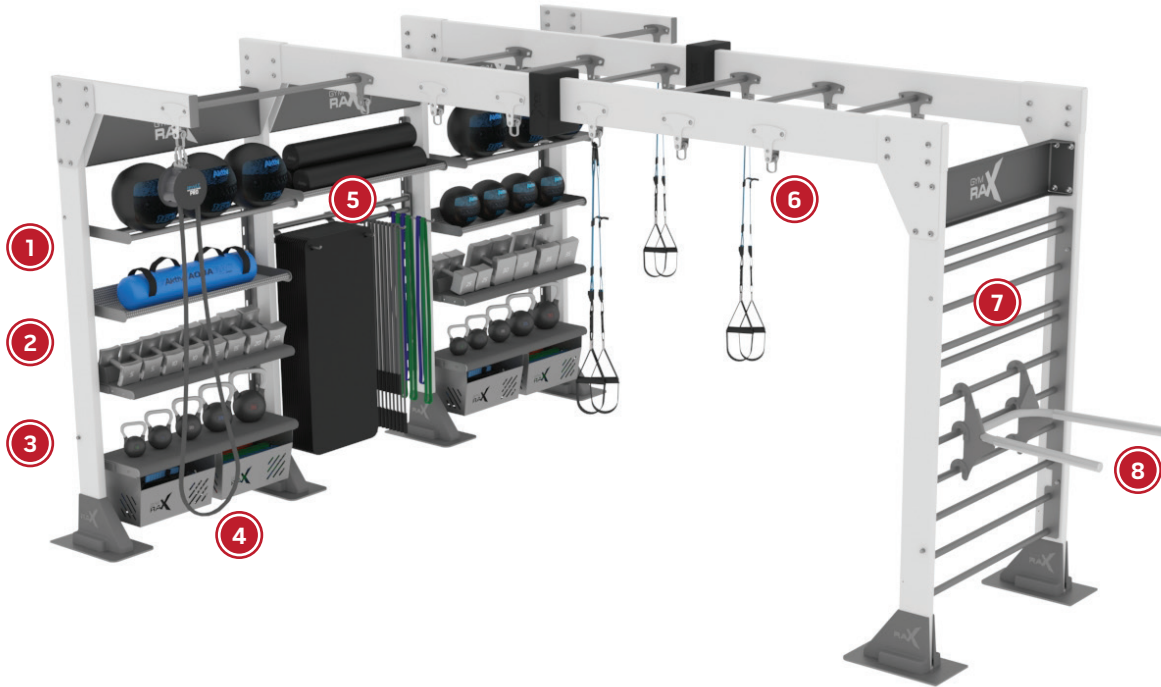




GR-TB14-L | T BRIDGE

14' + T CONFIGURATION - LOADED



Gym Rax® Bridges begin at a standard height of 8' with unlimited configurability and are available in 9' and 10' extended height options. Freedom Mount® technology provides ease of adjustment and safe connection for the suspension of straps, boxing, aerial hammock, and other equipment.

FEATURES:

- Modular Configuration + Future Expandability
- Interchangeable, quick-change shelving system
- Freedom Mount Technology
- Compact Footprint
- Free Anchor™ – Freestanding Installation System

INCLUDES:

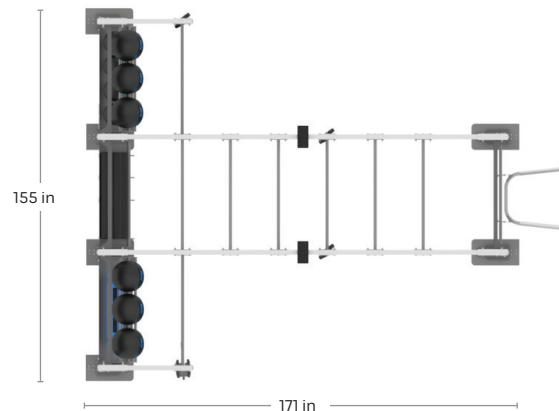
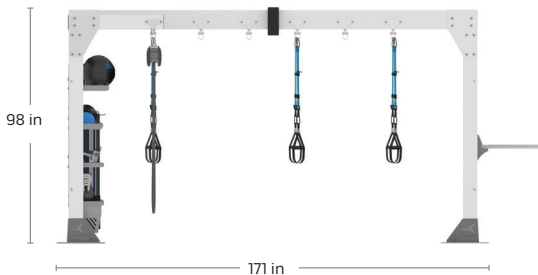
- | | |
|----------------------------|--------------------------------------|
| 1. Universal Ball Rax (x2) | 7. Wall Bars (x1) |
| 2. Free Weight Rax (x4) | 8. Dip (x1) |
| 3. Rax Bins (x2) | <i>*Accessories Sold Separately.</i> |
| 4. Trough Rax (x3) | |
| 5. Universal Peg Rax (x1) | |
| 6. Freedom® Mount (x14) | |

8-10
USERS | FUNCTIONAL

Configuration **171 in x 155 in x 98in**
Footprint: (434.3 cm x 393.7 cm x 248.9 cm)

STANDARD
FRAME:
Storm Grey

RAX COLOR:
Gun Metal Grey



FREEDOM MOUNT®

FREE ANCHOR™ SYSTEM